

CDS Provides Equipment, Integration, and Installation



CDS is an experienced team of broadcast professionals that understand the complexities of both IT and encoding technologies who can integrate your NEXTGEN TV solution.

Comark Digital Services

INTEGRATION FOR ATSC 1.0 AND 3.0
ENCODING SOLUTIONS

Software Based Encoding
Improves Existing OTA ATSC 1.0
Easily Transitions to ATSC 3.0



Powered by

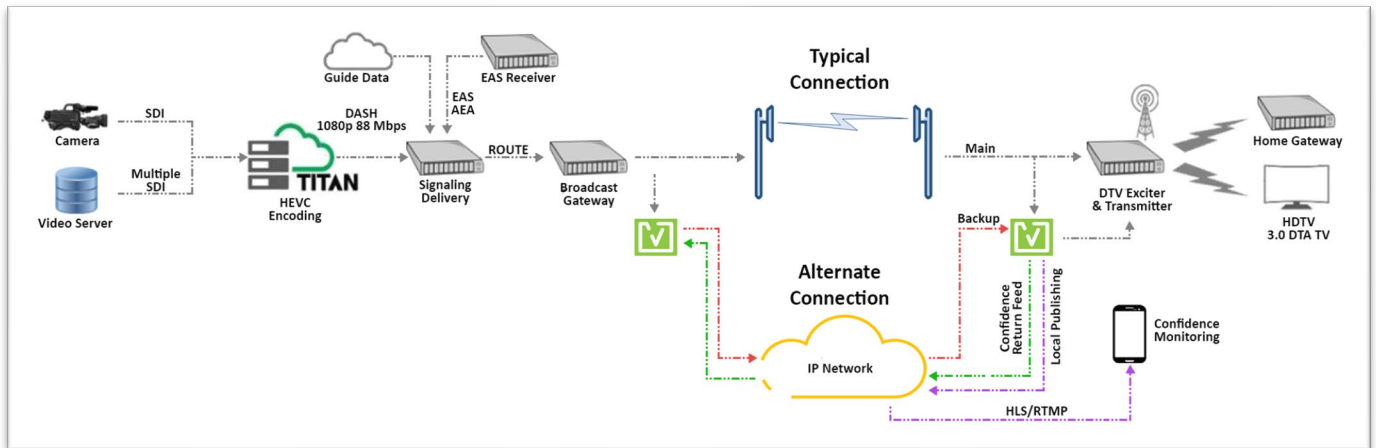


The Comark Digital Services (CDS) group has been established within Hitachi-Comark to assist customers with the complexities of equipment selection, integration services, and field deployments of ATSC 3.0 / NextGen TV solutions. Hitachi-Comark and our CDS group have already been involved with several field trials and real-world NextGen TV deployments across the country. Our team has the most real-world experience – period.

Hitachi Kokusai Electric Comark LLC

Whether you're replacing a legacy ATSC 1.0 system or planning a complete ATSC 3.0 rollout, CDS guides you through the business and equipment options. CDS can help you select the most advanced and reliable technology, design the system, and integrate everything at our advanced labs; we handle the end-to-end implementation.

CDS focuses on "all things IP" including encoding, signaling servers, broadcast gateways, as well as IP delivery solutions. Many of the solutions CDS integrates for NEXTGEN TV are software products virtualized to run on dedicated servers, enterprise-level IT infrastructure, or even in cloud-based environments. CDS has solutions for protective IP connectivity (IP-STL) to effectively move content from your NOC to the cloud environment and then to the multiple SFN transmitter sites.



From software-based encoding solutions, through full ATSC 3.0 signal processing, and finally test and monitoring, CDS can custom tailor the end-to-end equipment solution necessary to get your station on the air and producing new digital revenues. We have partnered with several key technology vendors in the market to offer a wide depth of options for every broadcaster's needs. Contact Hitachi-Comark and CDS for all your NEXTGEN TV requirements. sales@comarktv.com